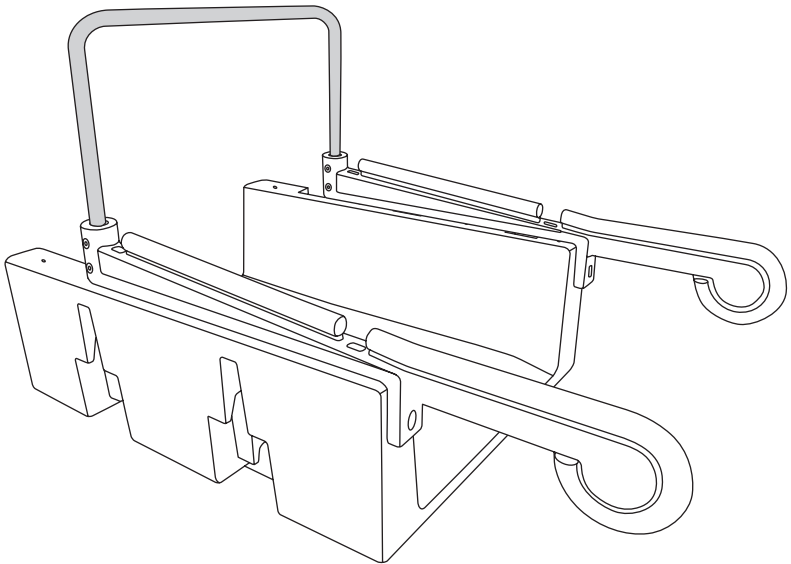




YAKport® Assembly Instructions



Installation

Please note that placing a launch in an unsuitable location may void any warranty provided by Connect-A-Dock. Please contact Connect-A-Dock or your local distributor or dealer if you have any questions regarding the suitability of your particular dock location.

Cleaning

For low maintenance cleaning use a stiff broom or brush with a garden hose. A pressure washer with no heat can also be used. When using soap, use an environmentally safe product.

Anchoring

Dock anchoring methods listed in this instruction manual are only suggestions. It is up to you to determine which method suits your needs.

YAKport® Product Installation and Use Warning Disclaimer

Repairs of a YAKport should only be performed by an authorized Connect-A-Dock technician. If repair is performed by unauthorized persons, serious personal injury and/or property damage could occur.

If unauthorized personnel repair a YAKport hereby disclaims any and all warranties, expressed or implied. Connect-A-Dock limits its warranty to Connect-A-Dock's published YAKport warranty furnished with each product. No other warranty of any kind either verbal or implied including warranties of merchantability and fitness for a particular purpose are recognized. The contents of this manual are subject to change without notice and should not be construed as a commitment, representation, warranty or guarantee of any method, product or device by Connect-A-Dock. Reproduction or translation of any part of this manual, without the written permission of Connect-A-Dock, is prohibited.

Any inquiries concerning the YAKport published warranty or this manual and its contents please contact Connect-A-Dock.

All specifications provided by Connect-A-Dock are based upon connect-a-dock test data and are provided without representation or warranty. Actual specifications, weights and dimensions may vary for a variety of reasons, including, without limitation, due to the rotational molding process. Specifications should be regarded as nominal values only and not as binding actual values. Please contact Connect-A-Dock if you have specific questions regarding the specifications of any Connect-A-Dock product.

Table of Contents

Fixed Dock Attachment	4
Floating Dock Attachment	5
1000 or 2000 Series Connect-A-Dock	6
YAK Bars.....	7
Overhead Bar / Grab Bar.....	8

YAKport Video – Installation Instructions



Fixed Dock

connectadock.com

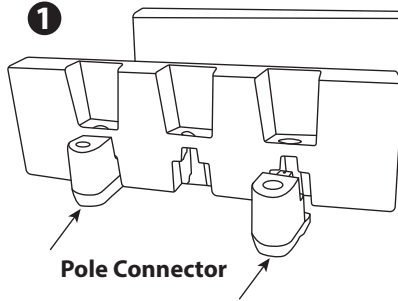
1-877-742-3071

Tools Needed

(2) 9/16" Wrench

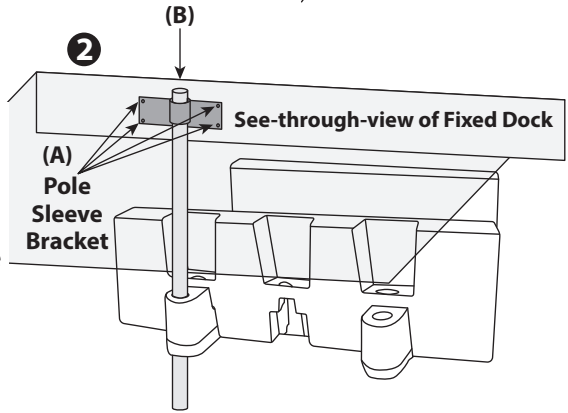
Step 1

Install Pole Connectors into outer YAKport sockets.
Secure Float Connectors into sockets with bolts, washers, and bushings provided. Tighten all bolts in the dock using 25 lbs/ft (3.46 kg/m) of torque.



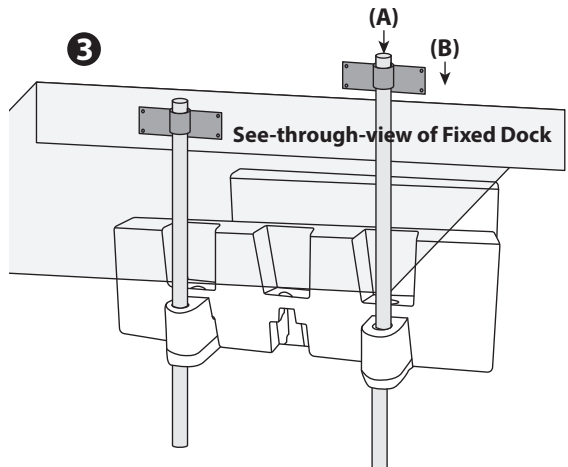
Step 2

Determine YAKport position to fixed dock. (A) Mount one Pole Sleeve Bracket on the outside of the fixed dock. *Note: 3/8" hardware to mount the Pole Sleeve Bracket not included.*
(B) Slide 2" id pole through Pole Sleeve Bracket and Pole connector.
Note: pipe size 2" id sch 40 pipe or max dia of 2.375". (50 Dn mm sch 40)



Step 3

(A) Slide 2" id pole through Pole Connector.
(B) Slide the Pole Sleeve Bracket down the 2" id Pole and align with the Fixed Dock. Mount Pole Sleeve Bracket to the Fixed Dock with 3/8" hardware.
Note: pipe size 2" is 30" on center between the Pole Sleeve Brackets.



Floating Dock Kit

connectadock.com

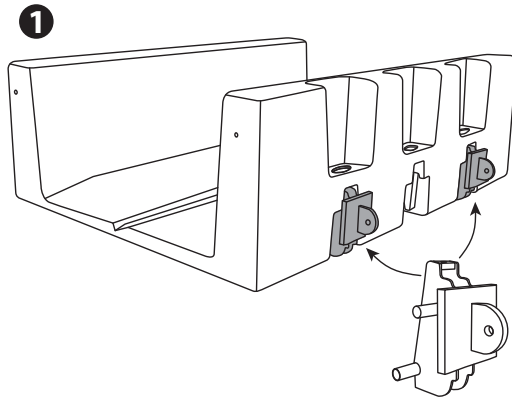
1-877-742-3071

Tools Needed

- (1) 9/16" Wrench
- (1) Drill
- (1) 1/2 Drill Bit

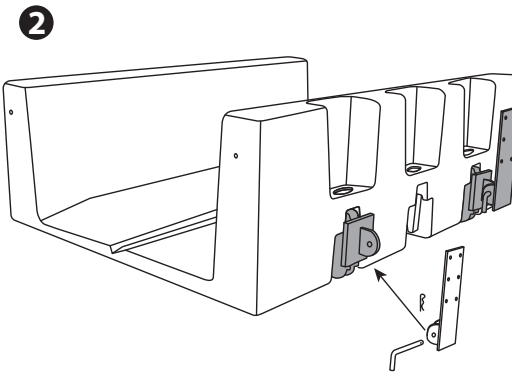
Step 1

Insert the Metal Accessory Connector-Male into the YAKport connector sockets. Secure with 3/8" Bolt, Diamond Washer & Bushing.



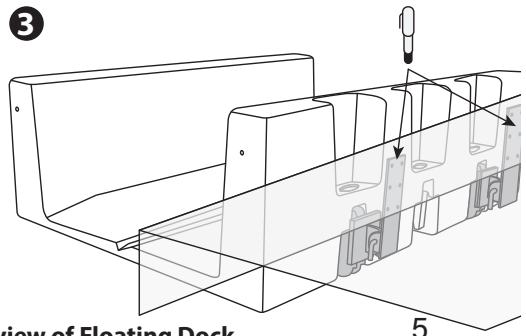
Step 2

Connect the Hinge Bracket to the Metal Accessory Connector-Male with the Pin & Clip.



Step 3

Align the Hinge Brackets up the floating dock & mark the hole location to be drilled. Discontent Hinge Bracket from the Metal Accessory Connector-Male.



See-through-view of Floating Dock

5

Floating Dock Kit

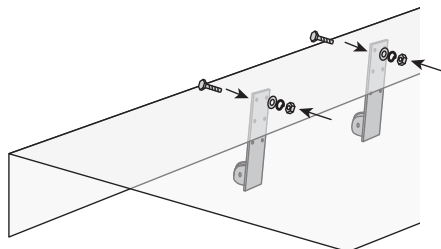
connectadock.com

1-877-742-3071

Step 4

Drill 1/2" holes on the mounting location of the floating dock. Attach the Hinge Brackets to the floating dock with 1/2" hardware - bolts, washers & lock nuts. (Note: Hardware to attach the Hinge Bracket to the floating dock not included)

4

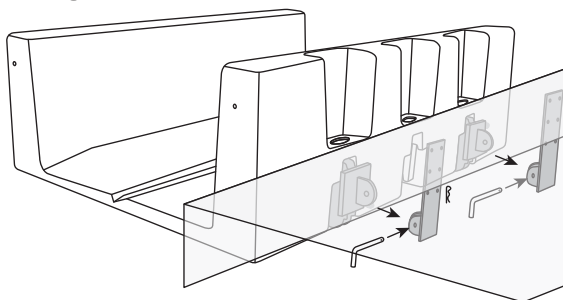


See-through-view of Floating Dock

Step 5

Align the Metal Accessory Connector-Male with the Hinge Brackets mounted on the floating dock. Secure with Pin & Clip.

5



See-through-view of Floating Dock

Connect-A-Dock Floating Dock

connectadock.com

1-877-742-3071

Tools Needed

(1) 9/16" Wrenches

Step 1

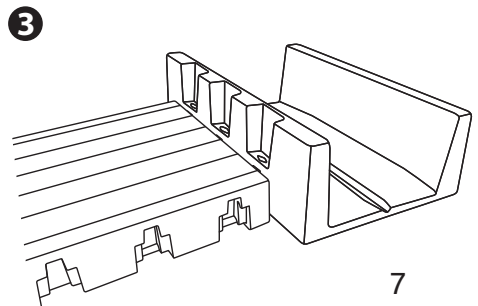
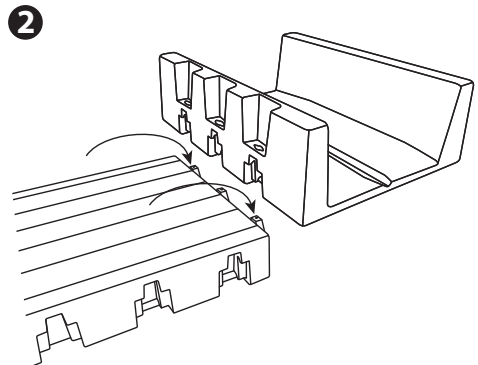
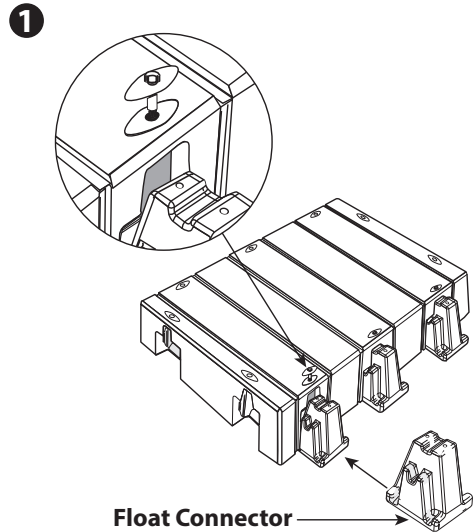
Install Float Connectors into all Float Section sockets.
1000 Series three Float Connectors
2000 Series two Float Connectors
Secure Float Connectors into sockets with bolts, washers, and bushings provided (hand tighten only).

Step 2

Align YAKport Launch with the Float Connectors. Position yourself carefully on the YAKport.

Step 3

Secure the YAKport Launch with bolts, washers, and bushings provided (hand tighten only). Tighten all bolts in the dock using 25 lbs/ft (3.46 kg/m) of torque.



Tools Needed

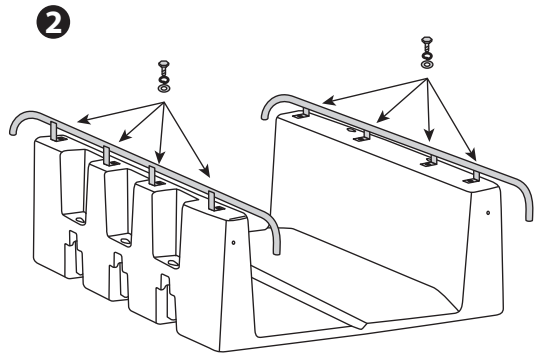
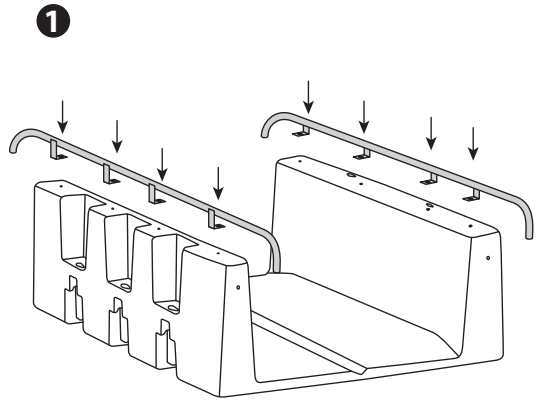
(1) 9/16" Wrenches

Step 1

Place the YAK Bars in the desired location on the YAKport launch.

Step 2

Secure with the supplied (4) 3/8-16 x 1" bolts, lock washer & washer.



Overhead Bar / Grab Bars

connectadock.com

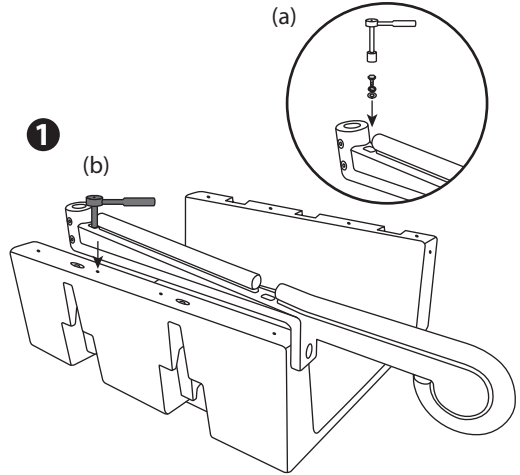
1-877-742-3071

Tools Needed

- (1) 9/16" Wrench
- (1) 9/16" Socket Wrench with an extension

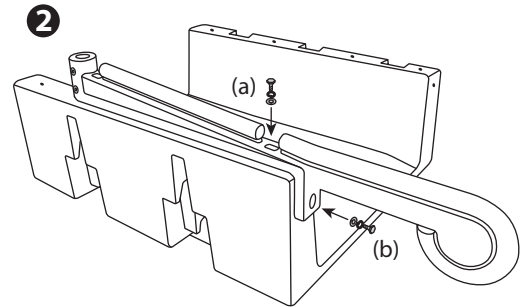
Step 1

(a) Insert a 3/8-16 x 1" bolt with a lock washer & washer into the Overhead Bar/Grab Bar Bracket. (b) Hold the bolt in place with the Socket Wrench and align bolt with the insert in the YAKport. Don't tighten the bolt at this time.



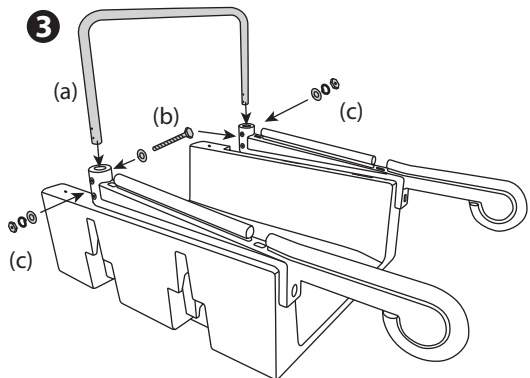
Step 2

(a) Insert the supplied 3/8-16 x 1" bolts into the top location, lock washer & washer. Don't tighten the bolt at this time. (b) Secure the front location with the supplied 3/8-16 x 1" bolts, lock washer & washer. (c) Tighten all three bolt locations to secure the bracket.



Step 3

(a) Insert the metal Overhead Bar into the Overhead Bar/Grab Bar Bracket. (b) Insert the four 3/8-16 x 4" bolt with a washer from the inside of the YAKport. (c) Secure with a washer, lock washer and nut.



Warranties

connectadock.com

YAKport Warranty – USA & Canada

YAKport warrants to the original owner all polyethylene plastic components for eight (8) years from date of purchase to be free of defects in material and workmanship. YAKport warrants accessories to the original owner for one (1) years from date of purchase to be free of defects in material and workmanship.

YAKport Warranty – International

YAKport warrants to the original owner all polyethylene plastic components for two (2) years [one (1) year for commercial use] from date of purchase to be free of defects in material and workmanship. All other accessories have a one (1) year limited warranty. For a copy of the YAKport complete warranty call 833-424-0876 or view online at connectadock.com.

Should you have a warranty claim, we may require that you provide a photograph or, in some cases, return the Connect-A-Dock part to the place of purchase. In order for warranty to be valid, original sales receipt must accompany warranty claim.

NOTE: Shipping costs are not included in warranty.

NOTE: All plastic has an inherent tendency to create static electricity. If you have a concern, contact Connect-A-Dock.

1501 Owner Avenue, Atlantic, IA 50022 USA

1-877-742-3071 (toll free U.S.A. only) 1-712-243-2430

Please call us with your questions and comments